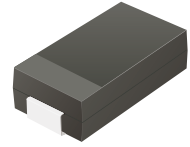


## CURB207-G

Reverse Voltage: 1000 Volts

Forward Current: 2.0 Amp

RoHS Device

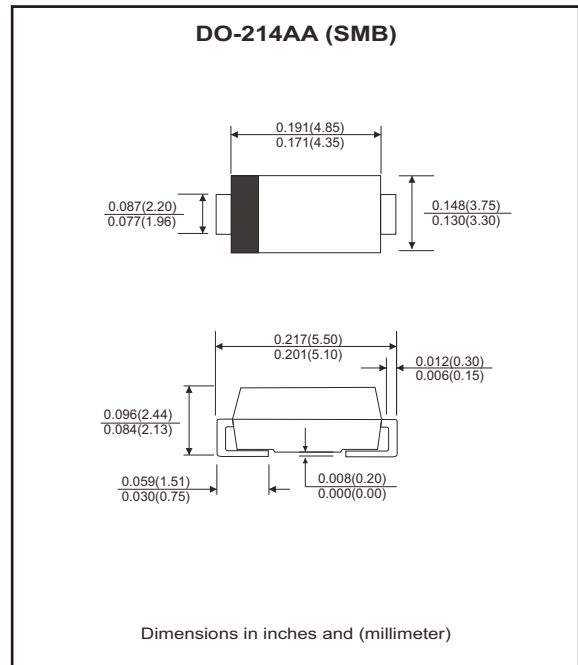


### Features

- Glass passivated chip.
- Low forward voltage.
- High current capability.
- High reliability.
- Fast surge current capability.
- High speed switching.

### Mechanical data

- Case: JEDEC DO-214AA, molded plastic.
- Epoxy: UL 94V-0 rate flame retardant.
- Terminals: Solderable per MIL-STD-750, method 2026.
- Polarity: Color band denotes cathode end.
- Mounting position: Any



### Circuit Diagram



### Maximum Ratings and Electrical Characteristics (T<sub>A</sub>=25°C unless otherwise noted)

Parameter	Symbol	CURB207-G	Unit
Max. Repetitive peak reverse voltage	V <sub>RRM</sub>	1000	V
Max. DC blocking voltage	V <sub>DC</sub>	1000	V
Max. RMS voltage	V <sub>RMS</sub>	700	V
Max. Average forward current @ T <sub>A</sub> =25°C	I <sub>o</sub>	2	A
Max. Instantaneous forward voltage at 2.0A	V <sub>F</sub>	1.7	V
Reverse recovery time	T <sub>rr</sub>	75	nS
Max. DC reverse current @ T <sub>A</sub> =25°C	I <sub>R</sub>	5	μA
Operating temperature range	T <sub>J</sub>	-55 to +150	°C
Storage temperature range	T <sub>STG</sub>	-55 to +150	°C

Notes: 1. Reverse recovery test conditions: I<sub>F</sub>=0.5A, I<sub>R</sub>=1.0A, I<sub>RR</sub>=0.25A(RG1 circuit)

## Rating and Characteristic Curves (CURB207-G)

Fig.1 - Forward Current Derating Curve

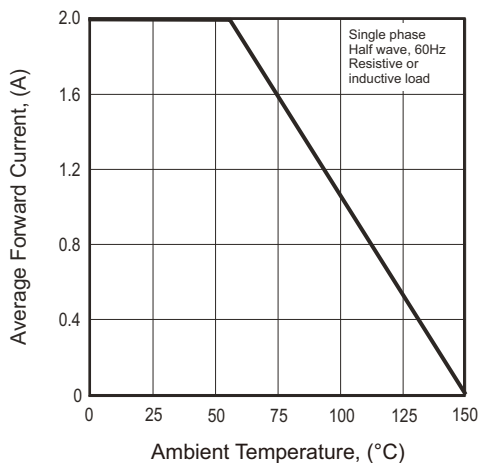


Fig.2 - Maximum Non-Repetitive Surge Current

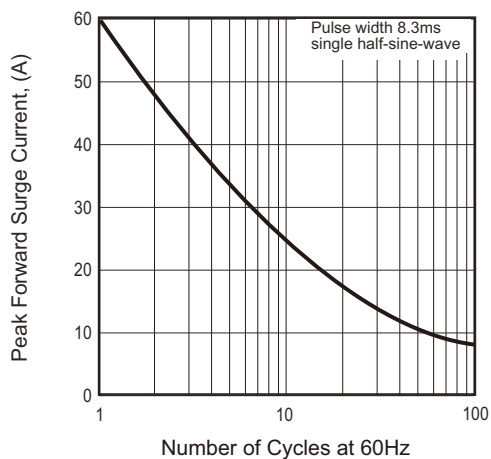


Fig.3 - Typical Forward Characteristics

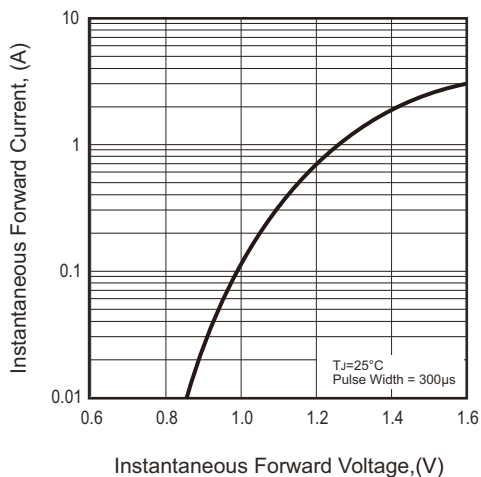
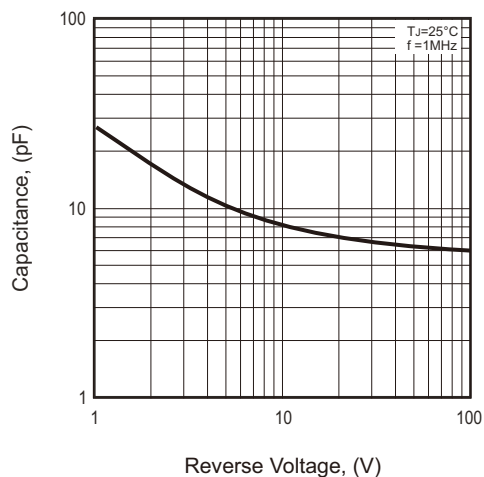
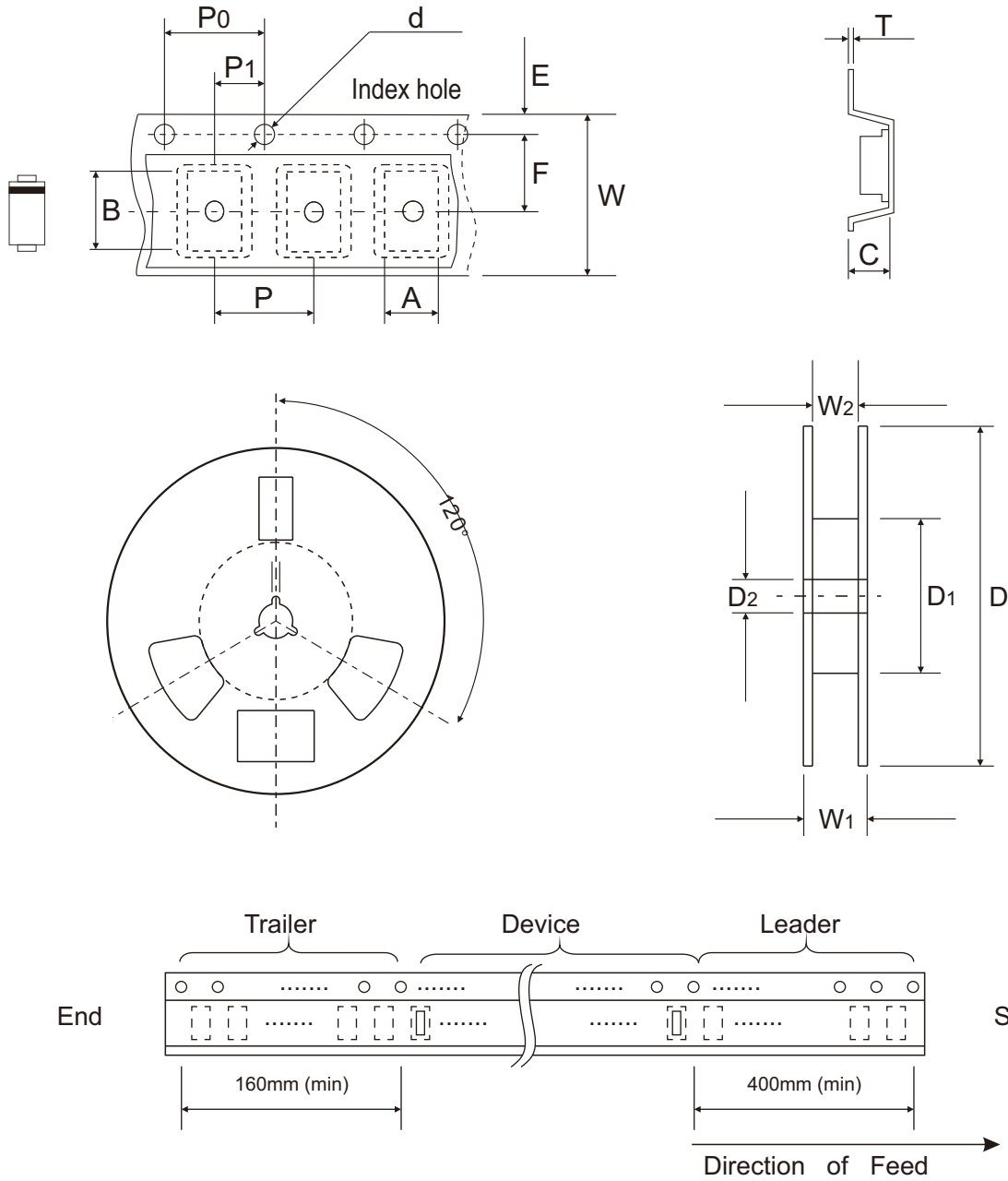


Fig.4 - Typical Junction Capacitance



## Reel Taping Specification



DO-214AA (SMB)	SYMBOL	A	B	C	d	D	D1	D2	E	
	(mm)	See Note 1				1.55 ± 0.05	330.00	50.00 (Min.)	13.00 + 0.50 - 0.20	1.75 ± 0.10
	(inch)	See Note 1				0.061 ± 0.002	12.992	1.969 (Min.)	0.512 + 0.020 - 0.008	0.069 ± 0.004

DO-214AA (SMB)	SYMBOL	F	P	P0	P1	T	W	W1	W2
	(mm)	5.50 ± 0.05	8.00 ± 0.10	4.00 ± 0.10	2.00 ± 0.05	0.40 (Max.)	12.00 ± 0.10	18.40 (Max.)	12.40 + 2.00 - 0.00
	(inch)	0.217 ± 0.002	0.315 ± 0.004	0.157 ± 0.004	0.079 ± 0.002	0.016 (Max.)	0.472 ± 0.004	0.724 (Max.)	0.488 + 0.079 - 0.000

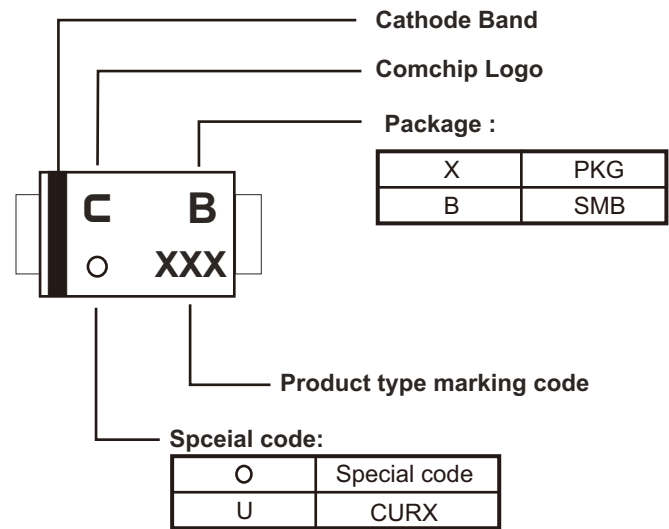
Notes: 1. A, B, and C the clearance between the component and the cavity must be within 0.5mm max. for 8mm tape and 12mm tape, 1.0mm max. for 16mm tape and 24mm tape.

Company reserves the right to improve product design, functions and reliability without notice.

REV:C

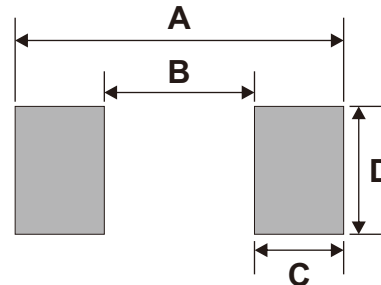
## Marking Code

Part Number	Marking Code
CURB207-G	207



## Suggested P.C.B. PAD Layout

SIZE	DO-214AA(SMB)	
	(mm)	(inch)
A	5.60 REF	0.220 REF
B	2.16 MAX	0.085 MAX
C	1.52 MIN	0.060 MIN
D	2.18 MIN	0.086 MIN



Note: 1. The pad layout is for reference purposes only.

## Standard Packaging

Case Type	REEL PACK	
	REEL ( pcs )	Reel Size (inch)
DO-214AA (SMB)	3,000	13